

2025 Edition 4



PARTS & SUPPLIES



puck.com

ABOUT US

PUCK FAMILY OF BRANDS



Puck designs and manufactures industry-leading manure and liquid transfer equipment. We are innovators who work hard to make our liquid transfer equipment better for one simple reason; we don't just build the equipment, we use it.



LightSpeed technology comes standard on all Puck pumps, so all your pumps will be protected and monitored by the watchful eyes of this powerful platform. Regulate pressures and add another layer of safety without adding more people to your operation, through LightSpeed's advanced protection technology.



Designed for high performance and durability, BullDog Hose Company's American-made agricultural hoses deliver a steady and reliable flow. From crop irrigation to liquid manure application operations, BullDog hoses are developed to withstand harsh conditions with performance you can depend on.



U.S. Coupling strives to develop engineering-based solutions for customer needs, such as accessories for umbilical manure slurry applications. We lead the industry in products for large diameter supply hose and drag hose fittings.

TABLE OF CONTENTS

High Pressure Hose Fittings	2
Steel Weldments	6
Hose Accessories & Tie Downs	9
Hitches	11
Trailer Lights	13
Trailer Wiring	15
LightSpeed & Guardian	17
Boat Controls	19
Hydraulics	20
Hydrostat	26
Applicators	28
Measurement	40
Puck Pump School	45
Locations	46

6" COUPLERS

Coupler Sets include both coupler ends with collars, hardware, rubber gaskets, sleeve and clamp.



DOUBLE BOLT COUPLER SET

SIZE	PART NUMBER
6"	120-00034-11
6" EXTENDED SHANK	120-00071-11
5-1/2"	120-00032-11
5"	120-00030-11

6" MENDERS

Mender Sets include mender sleeve, collars and hardware to join hose without coupling.



DOUBLE BOLT MENDER SET

SIZE	PART NUMBER
6"	134-00028-11
5-1/2"	134-00024-11
5"	134-00017-11

6" COMPONENTS

Sleeves, clamp & o-rings are 5", 5-1/2", & 6" compatible.



SLEEVE - ANODIZED ALUMINUM

SIZE	PART NUMBER
6"	132-00043-11



RUBBER GASKET O-RINGS

SIZE	PART NUMBER
6"	190-00010-11



CLAMP

SIZE	PART NUMBER
6" HD	133-00019-11



SLEEVE - PVC

SIZE	PART NUMBER
6"	55-00097-11



T-HANDLE

SIZE	PART NUMBER
5/16" HEX WRENCH	55-00007-11

8" COUPLERS

Coupler Sets include both coupler ends with collars, hardware, rubber gaskets, sleeve and clamp.



DOUBLE BOLT COUPLER SET

SIZE	PART NUMBER
8"	120-00024-11
8" EXTENDED SHANK	120-00057-11
7-1/4"	120-00022-11
7-1/4" EXTENDED SHANK	120-00073-11
7"	120-00020-11

8" MENDERS

Mender Sets include mender sleeve, collars and hardware to join hose without coupling.



DOUBLE BOLT MENDER SET

SIZE	PART NUMBER
8"	134-00045-11
7-1/4"	134-00041-11
7"	134-00037-11



7" TO 6" DOUBLE BOLT MENDER SET

SIZE	PART NUMBER
7" to 6"	134-00039-11

8" COMPONENTS

Sleeves, clamp & o-rings are 7", 7-1/4", & 8" compatible.



SLEEVE - ANODIZED ALUMINUM

SIZE	PART NUMBER
8"	132-00046-11



CLAMP

SIZE	PART NUMBER
8" HD	133-00020-11



RUBBER GASKET O-RINGS

SIZE	PART NUMBER
8"	190-00011-11



T-HANDLE

SIZE	PART NUMBER
5/16" HEX WRENCH	55-00007-11

10" COUPLERS

Coupler Sets include both coupler ends with collars, hardware, rubber gaskets, sleeve and clamp.



DOUBLE BOLT COUPLER SET

SIZE	PART NUMBER
10"	120-00009-11
10" EXTENDED SHANK	120-00074-11

10" MENDERS

Mender Sets include mender sleeve, collars and hardware to join hose without coupling.



DOUBLE BOLT MENDER SET

SIZE	PART NUMBER
10"	134-00008-11

10" COMPONENTS

Sleeves, clamp & o-rings are 7", 7-1/4", & 8" compatible.



SLEEVE - ANODIZED ALUMINUM

SIZE	PART NUMBER
10"	132-00042-11

RUBBER GASKET O-RINGS

SIZE	PART NUMBER
10"	190-00007-11

CLAMP

SIZE	PART NUMBER
10" HD	133-00021-11

T-HANDLE

SIZE	PART NUMBER
3/8" HEX WRENCH	55-000013-11



DOUBLE MALE REDUCING ADAPTERS

10" TO 8" - STEEL REDUCER



10" side uses a clamp to join to a 10" coupler end.
8" side fits 6-1/2", 7", 7-1/4", 8" coupler ends, using a clamp to join.

PART NUMBER

135-00009-11

8" TO 6" - ALUMINUM REDUCER



8" side uses a clamp to join to a 7", 7-1/4", 8" coupler end.
6" side fits 5", 5-1/2" or 6" coupler ends, using a clamp to join.

PART NUMBER

135-00021-11

DOUBLE FEMALE REDUCING ADAPTERS

10" TO 8" - STEEL REDUCER



10" side uses a sleeve and clamp to join to a 10" coupler end.
8" side fits 7", 7-1/4", 8" coupler ends, using a sleeve and clamp to join.

PART NUMBER

135-00027-11

8" TO 6" - ALUMINUM REDUCER



8" side uses a sleeve and clamp to join to a 7", 7-1/4", 8" coupler end.
6" side fits 5", 5-1/2" or 6" coupler ends, using a sleeve and clamp to join.

PART NUMBER

135-00018-11

MALE TO FEMALE REDUCING ADAPTERS

10" MALE TO 8" FEMALE - STEEL



10" side uses a clamp to join to a 10" coupler end.
8" side fits 7", 7-1/4", 8" coupler ends, using a sleeve and clamp to join.

PART NUMBER

55-0019E07-12

WELD-ON COUPLER ENDS

MALE ENDS

Couple directly to compatible ends, using a clamp to connect.



SIZE	PART NUMBER
10"	67-00425-11
8" - for 8-1/4", 7-1/4", 7" ends	67-00424-11
6" - for 6", 5-1/2", 5" ends	67-00415-11
6" x 5" - Welds directly to 6" tubing	26-00072-11

FEMALE ENDS

Couple directly to compatible ends, requiring a sleeve and clamp to connect.



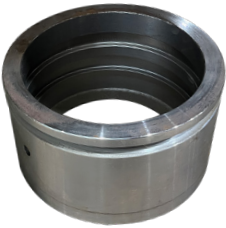
SINGLE GASKET

Single, rubber gasket o-ring.

SIZE	PART NUMBER
10"	56-00002-11
8" - for 8", 7-1/4", 7" ends	26-00039-11
6" - for 6", 5-1/2", 5" ends	26-00038-11

DOUBLE GASKET

Extra seal with double rubber gasket o-rings.



SIZE	PART NUMBER
10"	55-00148-11
8" - for 8", 7-1/4", 7" ends	26-00018-11
6" - for 6", 5-1/2", 5" ends	26-00019-11

STEEL WELDMENTS

BUTT WELD FLANGE - 150 LBS



SIZE	PART NUMBER
10" - 12 BOLT	27-00016-11
8" - 8 BOLT	27-00019-11
4" - 8 BOLT	27-00028-11



BLIND FLANGE - 150 LBS

SIZE	PART NUMBER
8" - 8 BOLT	27-00003-11
6" - 8 BOLT	27-00002-11



SLIP FLANGE - 150 LBS

SIZE	PART NUMBER
10" - 12 BOLT	27-00017-11
8" - 12 BOLT	27-00001-11
8" - 8 BOLT	27-00020-11
6" - 12 BOLT	27-00030-11
6" - 8 BOLT	27-00034-11
5" - 8 BOLT	27-00026-11
4" - 8 BOLT	27-00029-11



FLANGE GASKET

Full faced, 1/8" thick, Neoprene.

SIZE	PART NUMBER
10"	27-00015-11
8"	27-00018-11
6"	27-00021-11
5"	27-00035-11
4"	27-00027-11

WELD RING

SIZE	PART NUMBER
10"	21-00741-11
8"	22-00059-11
6"	21-00076-11

ELBOW - 45°

SIZE	PART NUMBER	SIZE	PART NUMBER
10"	26-00007-11	5"	26-00061-11
8"	26-00068-11	4"	26-00061-11
6"	26-00059-11		



STEEL WELDMENTS

CONCENTRIC



SIZE	PART NUMBER
10" TO 8"	26-00037-11
10" TO 6"	26-00048-11
8" TO 6"	26-00049-11
8" TO 5"	26-00050-11
4" TO 3"	26-00040-11

ELBOW LONG - 90°



SIZE	PART NUMBER
10"	26-00017-11
8"	26-00067-11
6"	26-00057-11
5"	26-00060-11
4"	26-00063-11

ELBOW SHORT - 90°



SIZE	PART NUMBER
10"	26-00011-11
8"	26-00020-11
6"	26-00009-11

TEE



SIZE	PART NUMBER
10"	26-00055-11
8"	26-00056-11
8" with 6" branch	26-00015-11
8" with 4" branch	26-00014-11
6"	26-00058-11
6" with 4" branch	26-00035-11
5"	26-00062-11
4"	26-00064-11

HOSE ACCESSORIES

PIG - KICKBALL



SIZE	PART NUMBER
12"	59-00047-11
10"	59-00046-11
8"	59-00045-11
6"	59-00048-11



PIG - FOAM BULLET

SIZE	PART NUMBER
10"	59-00018-11
8"	59-00004-11



PORTABLE PIG LAUNCHER

SIZE	PART NUMBER
8"	18-00003-11
6"	18-00004-11



HOSE PINCHER

SIZE	PART NUMBER
10"	55-00120-11
8"	55-00037-11



6" HOSE PINCHER

PART NUMBER
55-00048-11



HANDLED HOSE PULLER

PART NUMBER
59-00005-11

TIE DOWNS



1" x 15' RATCHET STRAP

PART NUMBER

95-00025-11



1" x 10' PULL LOCK STRAP

PART NUMBER

95-00023-11



2" x 10' RATCHET STRAP

SIZE

PART NUMBER

10'

95-00021-11

27'

95-00027-11



3/8" RATCHET CHAIN BINDER

PART NUMBER

95-00009-11

LEVER CHAIN BINDERS

SIZE

PART NUMBER

1/2"

95-00039-11

3/8"

95-00042-11

SAFETY CHAIN WITH LATCH HOOK

36" length. DOT approved.

SIZE

PART NUMBER

3/8"

44-00004-11

7/8"

44-00015-11



3/8" GRADE 70 HOOK WITH PIN

PART NUMBER

44-00011-11



3/8" CHAIN HOOK

Includes pin & cotter clip.

PART NUMBER

44-00047-11

HITCHES

HITCHES



LOADED RECEIVER HITCH

Includes a 2-15/16" ball with 15,000 lbs capacity.

PART NUMBER

44-00019-11



5/8" HITCH PIN WITH CLIP

PART NUMBER

44-00046-11



LOADED DUAL HITCH RECEIVER

Includes 2-15/16" ball with 12,000 lbs capacity.

PART NUMBER

44-00003-11



PIN WITH SPRING LOCK 5/8" x 4"

PART NUMBER

74-00025-11



RECEIVER HITCH

7/8" hole, 7,500 lbs max trailer weight, 700 lbs max tongue weight.

PART NUMBER

44-00020-11



2-15/16" TRAILER BALL

1" diameter shank, 30,000 lbs rating.

PART NUMBER

44-00017-11



2" x 12" HITCH RECEIVER TUBE

2" x 2" x 12" in raw finish.

PART NUMBER

44-00001-11



2-1/2" TO 2" HITCH REDUCER BUSHING

PART NUMBER

44-00022-11

HITCHES



TRAILER JACK 15"

Pipe mount, 8,000 lbs lift.

PART NUMBER

67-00098C6-12



PINTLE HOOK DRAWBAR ASSEMBLY

Bolt on piece for swivel tow ring to attach to Puck hitch plates.

PART NUMBER

67-001928B-12



TRAILER JACK STAND MOUNT BLOCK

To use with 15" Trailer Jack.

PART NUMBER

45-00010-11



7/8" x 6" DOUBLE LOCK HITCH PIN

PART NUMBER

44-00009-11



3 HOLE MOUNT CLEVIS HITCH

PART NUMBER

44-00005-11



4 BOLT MOUNT PINTLE HITCH

90,000 lbs rating.

PART NUMBER

44-00016-11



3" PINTLE TOW RING

With 2" threaded swivel shaft 50,000 lbs rating.

PART NUMBER

44-00002-11



3" BOLT ON PINTLE TOW RING

PART NUMBER

44-00006-11



3/4" MARKER LIGHTS

COLOR	PART NUMBER
AMBER	83-00017-11
RED	83-00018-11



2" ROUND MARKER LIGHTS

COLOR	PART NUMBER
RED	83-00003-11
AMBER	83-00002-11
GROMMET	83-00111-11
2 PIN PIGTAIL	83-00009-11



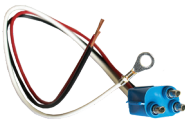
4" ROUND MARKER LIGHTS

COLOR	PART NUMBER
RED	83-00005-11
CLEAR	83-00012-11
GROMMET	83-00112-11
3 PIN PIGTAIL	83-00010-11

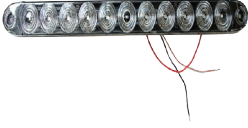


6" OVAL MARKER LIGHTS

COLOR	PART NUMBER
RED	83-00021-11
AMBER	83-00022-11
GROMMET	83-00020-11
3 PIN PIGTAIL	83-00019-11



LED MARKER LIGHTS



H&H TRAILERS - STOP/TURN/TAIL LIGHT BAR

STYLE	PART NUMBER
3 - WIRE	83-00113-11



H&H TRAILERS - ID LIGHT BAR

STYLE	PART NUMBER
2 - WIRE	83-00114-11



LED RADIUS GROTE LIGHT

EQUIPMENT	PART NUMBER
TURN TABLE REEL	83-00024-11



LED LIGHT BAR

SIZE	PART NUMBER
30"	83-00011-11
10"	83-00030-11



LED OVAL GROTE WORK LIGHT

LED, 6" oval, 2,500 lumens, 36 watts.

PART NUMBER
83-00001-11

7 FLAT - TRAILER WIRING HARNESS



ITEM	PART NUMBER
MALE	87-00004-11
FEMALE	87-00005-11

7 ROUND - TRAILER WIRING HARNESS



ITEM	PART NUMBER
MALE	87-00036-11
FEMALE	87-00037-11

7 POST JUNCTION BOX



PART NUMBER
85-00001-11

4 POST WIRING RELAYS



ITEM	PART NUMBER
START/STOP RELAY with PIGTAIL	84-00020-11
REVERSING RELAY	84-00015-11

TRAILER BREAKAWAY KIT & COMPONENTS



ITEM	PART NUMBER
FULL BREAKAWAY KIT	89-00002-11
BATTERY	89-00007-11
TRAILER SWITCH	89-00008-11

ELECTRONIC REPLACEMENT PARTS



ELECTRIC ACTUATOR 12 VDC

SIZE PART NUMBER

4" **84-00010-11**

6" **84-00011-11**

8" **84-00012-11**



MASTER DISCONNECT SWITCH

PART NUMBER

84-00017-11



MASTER DISCONNECT SWITCH (PREVIOUS STYLE)

PART NUMBER

84-00009-11



PROXIMITY SENSORS

ITEM PART NUMBER

IGT249 **86-00027-11**



PRESSURE SENSORS

ITEM PART NUMBER

WELD ADAPTER **84-00034-11**

**S-11 SENSOR 0-600
PSI for GAUGE PANEL** **84-00037-11**

**MH-2 SENSOR
0-8000 PSI** **84-00027-11**

DIN **84-00058-11**

M12 **84-00072-11**

**WIKA MH-2 SENSOR
0-1500 PSI CHARGE
PRESSURE** **84-00026-11**



LIGHTSPEED & GUARDIAN

LIGHTSPEED & GUARDIAN



BOOM REMOTE

ITEM	PART NUMBER
WIRELESS REMOTE RADIO PACKAGE (RP11788R0)	87-00054-11

AGITATOR GAUGE PANEL OUTPUT HARNESS

PART NUMBER
86-00072-11



DIN CONNECTORS - SERIES 210-2 10A 250V

PART NUMBER
87-00001-11

LIGHTSPEED - TRACTOR CAB

ITEM	PART NUMBER
MODEM KIT - includes modem, antenna, ethernet cables and harness	86-00045-11
MODEM - VERIZON 4G LTE	86-00007-11
MODEM ANTENNA - 4G LTE CELL/GPS/WIFI ANTENNA	89-00003-11



POWER ACCESSORIES

ITEM	PART NUMBER
12V to 110V POWER INVERTER	86-00089-11
LIND VOLTAGE BOOSTER	86-00001-11

CAT ACCESSORIES



ITEM	PART NUMBER
20A 24V MICRO RELAY RESISTOR	84-00052-11
HMI to NODE HARNESS for CAT BOOSTER (HA133620RO-0)	86-00100-11
NODE BATTERY	89-00011-11

VOYAGER - BOAT REMOTE

BOAT REMOTE - BLUE SCANRECO



ITEM	PART NUMBER
MINI PACKAGE	86-00014-11
RECEIVER	86-00097-11
BATTERY	89-00012-11
CHARGER for BATTERY	89-00013-11

BOAT REMOTE - GRAY SCANRECO

ITEM	PART NUMBER
BATTERY	89-00014-11
CHARGER	89-00015-11
WALL CHARGER	89-00016-11

GPS AUTOSTEER ACCESSORIES FOR BOATS



ITEM	PART NUMBER
GPS AUTOSTEER INPUT HARNESS	86-00073-11
STROBE LIGHT for BOAT	86-00095-11
BACK UP HORN with CONNECTOR	86-00017-11

YELLOW BOAT REMOTE

BOAT CONTROLS

RADIO PACKAGES: YELLOW OMNEX



ITEM	PART NUMBER
RECEIVER	84-00005-11
YELLOW BOAT REMOTE with DECALS	84-00018-11
BATTERY CHARGER	89-00004-11
DECAL LABEL SET	86-00051-11

WARN WINCH REMOTES - BOAT TRAILER

ITEM	PART NUMBER
WIRELESS REMOTE with HARNESS and CONTROLLER	84-00001-11
CORDED REMOTE	84-00003-11



HYDRAULIC PUMPS & MOTORS

HYDRAULIC MOTORS

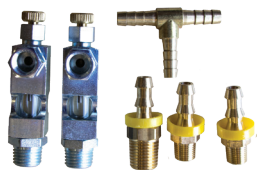
ITEM	PART NUMBER
MOTOR for FF BOOM SWIVEL (DANFOSS)	35-00020-11
MOTOR for BOAT VACUUM SYSTEM (CROSS)	35-00005-11
MOTOR for HOSE CART 1540	35-00010-11
MOTOR for TOOLBAR MANIFOLD - MECHANICAL	35-00016-11
DYNAMIC MECHANICAL DISTRIBUTOR	35-00073-11
6K EXCEL	35-00094-11

HYDRAULIC PUMPS

ITEM	PART NUMBER
BI-DIRECTIONAL PUMP (PARKER)	34-00007-11

OVERHUNG LOAD ADAPTER for MECHANICAL DISTRIBUTOR MOTOR

SIZE	PART NUMBER
1" OUTPUT	35-00012-11
1-1/2" OUTPUT	35-00051-11



VACUUM PUMPS

ITEM	PART NUMBER
H2F MASPORT VACUUM PUMP	96-00006-11
OILER KIT	39-00006-11



TANK LEVEL ADAPTER

PART NUMBER
86-00031-11







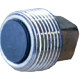
40 MICRON BREATHER

SIZE	PART NUMBER
1/2"	39-00022-11

HYDRAULIC OIL RESERVOIRS

HYDRAULICS

HYDRAULIC OIL TOWER PARTS

ITEM	PART NUMBER
 SIGHT GLASS - 6-5/8"	39-00010-11
 HYDRAULIC OIL FILTER	39-00003-11
 HYDRAULIC OIL FILTER BASE	39-00002-11
 1-1/2" x 1" SUCTION SCREEN	39-00007-11
 3/4" MAGNETIC PIPE PLUG	39-00005-11

HYDRAULIC OIL RESERVOIRS

ITEM	PART NUMBER
30 GALLON	93-00010-11
15 GALLON - CUSTOM	93-00081-11
1 GALLON - PLASTIC	93-00014-11

1/2" NPT SIGHT GLASS



SIZE	PART NUMBER
1/2"	39-00004-11
6"	39-00012-11
6" 90°	39-00013-11

3/8" NPT SIGHT GLASS



SIZE	PART NUMBER
4" 90°	39-00015-11

HYDRAULIC VALVES

UNIVERSAL HYDRAULIC MANIFOLD



SIZE	PART NUMBER
6 SECTION	36-00048-11
10 SECTION	36-00044-11

HYDRAULIC VALVE COMPONENTS

ITEM	PART NUMBER
SOLENOID WORK SECTION	36-00012-11
REVERSIBLE VALVE: MOTORS & LOCKDOWN VALVES	36-00017-11
REVERSIBLE VALVE: CYLINDERS	36-00016-11
INLET SECTION	36-00014-11
OUTLET SECTION	36-00015-11
FLOW CONTROL	36-00013-11
STROKE CONTROL VALVE	36-00033-11
SWINGER	36-00070-11
HC MANIFOLD 2 SPEED	39-00063-11
HC MANIFOLD SINGLE	39-00065-11

HYDRAULIC VALVE STUD KIT

Bolt to hold sections of hydraulic blocks together.



SIZE	PART NUMBER
10 SECTION	36-00004-11
9 SECTION	36-00005-11
8 SECTION	36-00006-11
7 SECTION	36-00007-11
6 SECTION	36-00008-11
5 SECTION	36-00009-11
4 SECTION	36-00010-11
3 SECTION	36-00011-11
2 SECTION	36-00078-11

DIRECTIONAL VALVE PARTS

ITEM	PART NUMBER
LEVER KIT	39-00025-11
VALVE CLEVIS with CAP	39-00019-1
VALVE CAP	39-00016-11
VALVE LEVER	39-00018-11
LEVER KNOB	39-00026-11
VALVE SECTION SPOOL ADAPTER	39-00030-11
VALVE CARTRIDGE	36-00058-11
SOLENOID COIL - MAGNET	39-00001-11
POWER OUTLET CARTRIDGE	36-00057-11
O-RING KIT	36-00067-11



DUAL RELIEF CUSHION VALVE

SIZE	PART NUMBER
1/2" NPT	36-00030-11
3/4" NPT	36-00031-11
SAE #8	36-00056-11
SAE #12	36-00059-11

LOW PRESSURE ACORN RELIEF CUSHION VALVE

PART NUMBER

36-00034-11

HYDRAULIC CYLINDERS



HYDRAULIC CYLINDER with CBV (LOCKDOWN VALVE)

CBV: Counter balance valve.

SIZE	EQUIPMENT	PART NUMBER
4" x 18"	LAGOON FEEDER	36-00075-11
4" x 36"	ROUND for BOOM & OUTRIGGER	36-00035-11
4" x 24"	BOOM	37-00005-11
5" x 24"	BOOM	36-00072-11
5" x 36"	BOOM	36-00060-11

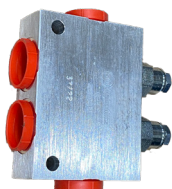
SQUARE HYDRAULIC CYLINDER

SIZE	EQUIPMENT	PART NUMBER
36"	OUTRIGGERS & BOOMS	36-00023-11



CLEVIS END for CYLINDER

PIN SIZE	THREAD SIZE	PART NUMBER
1-3/8"	1-1/4"	36-00105-11
1 3/4"	1-1/2"	36-00071-11



LOCKDOWN VALVE for HYDRAULIC CYLINDER

PART NUMBER
36-00003-11



HYDRAULIC CYLINDERS for KNIFE GATES

SIZE	PART NUMBER
2" x 4"	36-00032-11
2" x 6"	36-00028-11
2" x 6"	36-00027-11
2" x 10"	36-00029-11

HYDRAULIC CYLINDERS

SIZE	EQUIPMENT	PART NUMBER
4" x 16 7/8"	TURN TABLE REEL	36-00069-11
3-1/2" x 18"	HOSE CART	36-00026-11
4" x 18"	LAGOON FEEDER	36-00043-11
5" x 18"	TOOLBAR	36-00021-11
24"	HOSE MOVER	36-00022-11
24"	AGITATION BOAT	36-00024-11
4" x 24"	BOAT TRAILER	36-00077-11
6" x 36"	HONEY BADGER BOOM	36-00066-11

HYDRAULIC SMART CYLINDERS for BOAT with AUTO-STEER

SIZE	EQUIPMENT	PART NUMBER
6"	BOAT with AUTO-STEER	36-00041-11
10"	BOAT with AUTO-STEER	36-00042-11

HYDRAULIC CYLINDERS with SWIVEL EYES for SWING PIPES

SIZE	SWIVEL EYES	PART NUMBER
4" x 24"	1 3/4"	36-00073-11
4" x 23-1/2"	1"	36-00036-11

HYDROSTAT PUMPS

HYDROSTAT SWITCH BLOCK & COMPONENTS

ITEM	PART NUMBER
HYDROSTAT SWITCH BLOCK	34-00003-11
W48-20-20U for HYDRAULIC SWITCH BLOCK	36-00039-11
W48-20-20U with #4 GAUGE PORT for SALAMI VALVE KIT	36-00061-11
SALAMI BLEED DOWN VALVE KIT	37-00008-11
HYDRAFORCE SOLENOID for HYDRAULIC SWITCH BLOCK	36-00001-11

HYDROSTAT - HYDRAULIC OIL COOLER

SIZE	PART NUMBER
20" x 24"	39-00017-11

BREATHER CAP ASSEMBLY KIT

ITEM	PART NUMBER
EDC CONTROLLER	36-00054-11
EDC CONTROLLER ORFICE KIT	36-00055-11

HYDROSTAT PTO ADAPTERS



ITEM	PART NUMBER
21 SPLINE FEMALE x 6 SPLINE MALE	39-00021-11
14 SPLINE FEMALE x 6 SPLINE MALE	39-00032-11
DODA 420 RESERVOIR	67-02528-11
DODA 420 2-PIECE PRESS FIT COUPLER	67-00014A1-12

HYDROSTAT THROTTLE CABLE



SIZE	PART NUMBER
10'	38-00002-11
7'	38-00001-11
HARDWARE	38-00003-11

DIETRICH SERIES 70



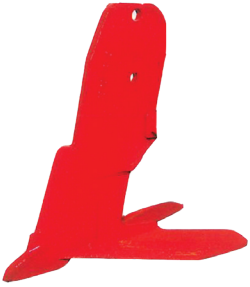
COMPLETE DIETRICH SERIES 70 ROW UNITS

Down tube not included.

SIZE	PART NUMBER
4 x 6 with 8" HI RATE SWEEP	74-00002-11
6 x 6 with 8" HI RATE SWEEP	74-00001-11
4 x 6 with 12" HI RATE SWEEP	74-00074-10
6 x 6 with 12" HI RATE SWEEP	74-00074-14
18" FLAT NOTCHED CLOSER BLADE	74-00055-11

SERIES 70 COMPONENTS

8" LOW RATE SWEEP

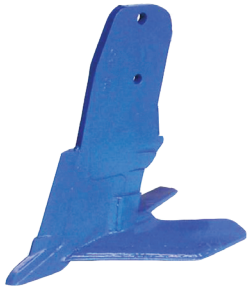


PART NUMBER

74-00056-11

- 8" wing width
- Designed for high speed (5-8 mph) and lower rates (2,500 - 5,000 gallons per acre) to meet the E.P.A. Phosphorus Rules
- Lifts the soil less than 1"
- Vertical shank portion is 1/2" thick
- The 8" Low Rate Sweep moves less soil, allowing higher speeds at low rates

8" HI RATE SWEEP



PART NUMBER

74-00015-11

- 8" wing width
- Designed for higher rates (5,000 - 10,000 gallons per acre)
- Lifts the soil less than 1-1/4"
- Vertical portion is 1" thick at the lower rear to create a wider slot to facilitate the filling of the soil cavity created by wings
- The 8" Hi Rate Sweep parts the soil more and creates a larger soil cavity than the 8" Low Rate Sweep to contain the liquid

12" HI RATE SWEEP



PART NUMBER

74-00016-11

- 12" wing width
- Designed for higher rates (10,000 - 15,000 plus gallons per acre; 20,000 gal. optional)
- Lifts the soil less than 1-1/4"
- Vertical portion is 1" thick at the lower rear to create a wider slot to facilitate the filling of the soil cavity created by the wings
- The 12" Hi Rate Sweep parts the soil more and creates a larger soil cavity than the 8" Hi Rate Sweep to contain the liquid

12" MAX HI RATE SWEEP

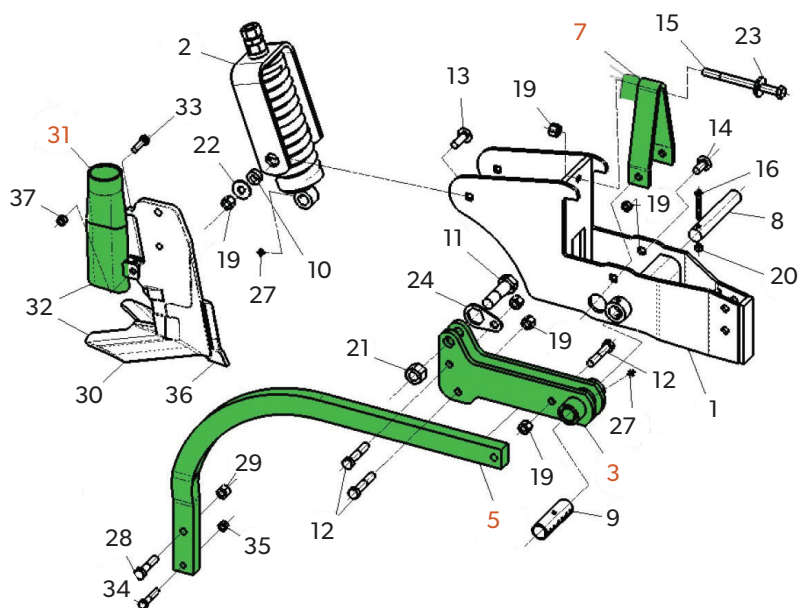


PART NUMBER

74-00067-11

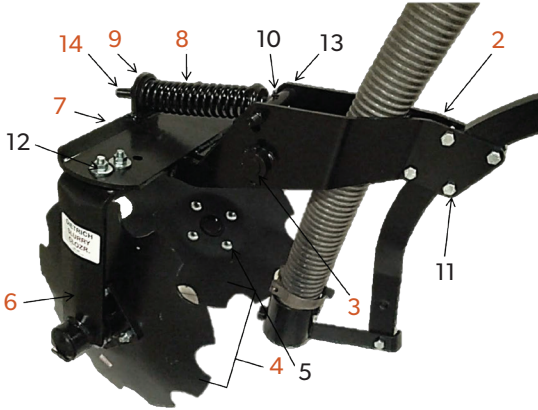
- 12" wing width
- Designed for higher rates (20,000 plus gallons per acre)
- Rear extensions provide higher lift to create a larger cavity

SERIES 70 SHANK ASSEMBLY



SERIES 70 SHANK ASSEMBLY

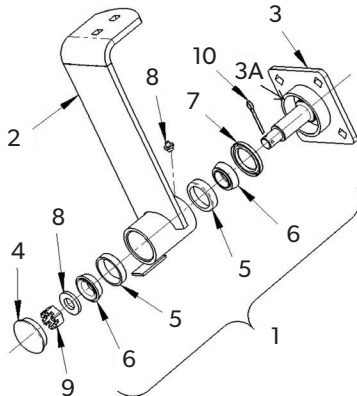
SCHEMATIC #	NAME	PART NUMBER
3	SHANK PIVOT WELDMENT	74-00005-11
5	FORMED SHANK	74-00006-11
7	SERIES 70 FLIP-UP BRACKET	74-00007-11
31	SPLASH PLATE	67-00339-11



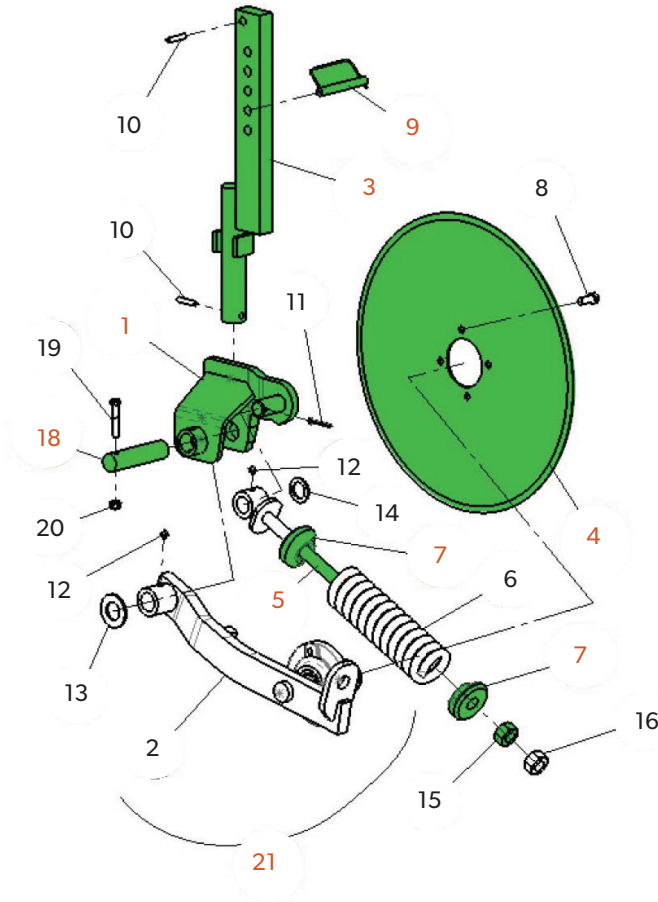
SLURRY CLOZR 508100 ASSEMBLY

SCHEMATIC #	NAME	PART NUMBER
2	CLOZR MOUNT PLATE WELDMENT	74-00039-11
3	PIVOT PIN FOR CLOZR (1-1/4" x 7-1/4")	74-00040-11
4	18" CLOZR SPHERICAL NOTCHED BLADE	74-00041-11
6	COMPLETE CLOZR ARM ASSEMBLY	74-00037-11
7	PIVOT WELDMENT	74-00047-11
8	HEAVY SPRING	74-00048-11
9	CUP WASHER	74-00049-11
14	T-BOLT	74-00050-11

SLURRY CLOZR ARM ASSEMBLY

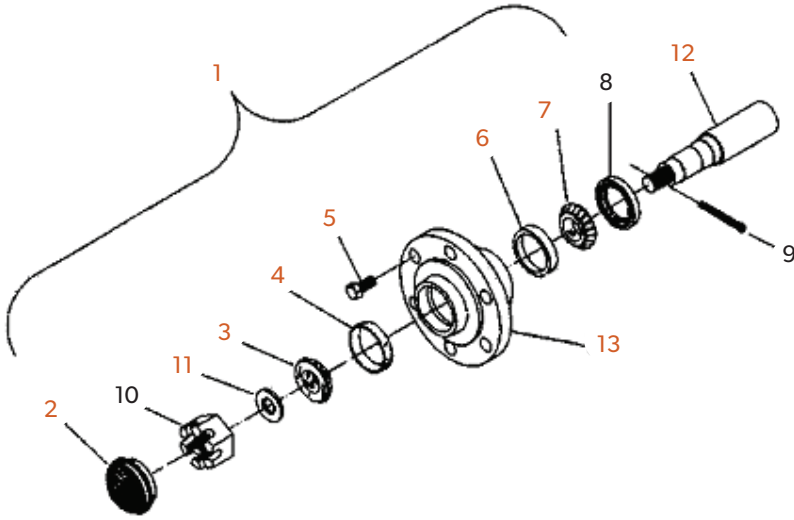


DOWN PRESSURE ASSEMBLY



DOWN PRESSURE ASSEMBLY

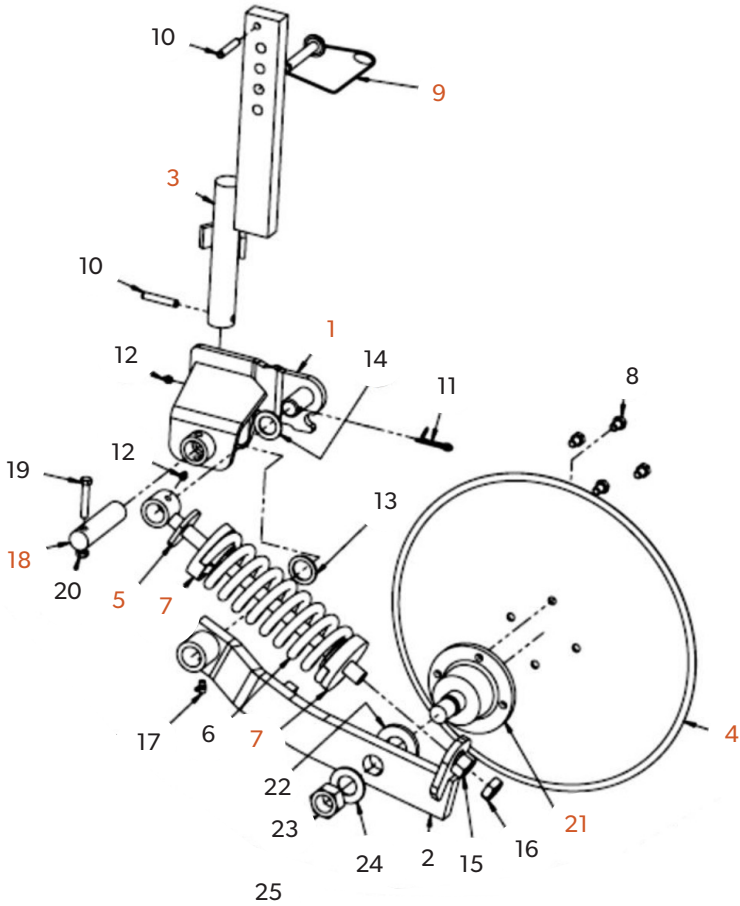
SCHEMATIC #	NAME	PART NUMBER
1	COULTER PIVOT WELDMENT	74-00017-11
3	COULTER MOUNT 22"	74-00019-11
4	22" COULTER BLADE	74-00020-11
5	T-BOLT WELDMENT	74-00021-11
7	SPRING CASTING	74-00023-11
9	SNAP PIN 5/8" x 4"	74-00025-11
18	PIVOT PIN 1-3/8" x 5-5/8"	74-00026-11



633 HUB ASSEMBLY

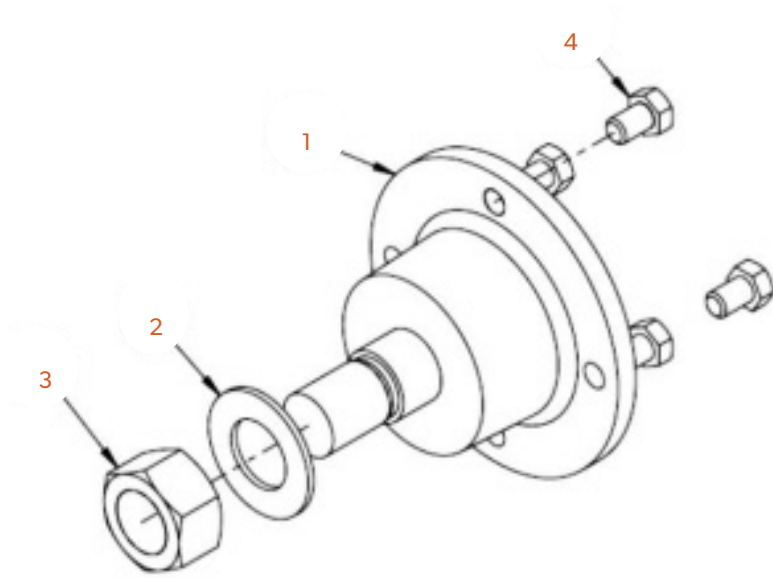
SCHEMATIC #	NAME	PART NUMBER
1	633 COMPLETE ASSEMBLY	74-00027-11
2	DUST CAP	74-00028-11
3	CONE BEARING (3/4" bore cone)	74-00029-11
4	CUP BEARING (1-39/50" OD cup)	74-00030-11
5	HUB BOLT 1/2" x 1-1/4" NF HEX BOLT	74-00024-11
6	CUP BEARING (2-1/3" OD)	74-00032-11
7	CONE BEARING (1-1/4" bore cone)	74-00031-11
11	3/4" SPECIAL WASHER	74-00033-11
12	SPINDLE	74-00034-11
13	633 HUB WITH CUPS	74-00035-11

DOWN PRESSURE ASSEMBLY



DOWN PRESSURE ASSEMBLY

SCHEMATIC #	NAME	PART NUMBER
1	COULTER PIVOT WELDMENT	74-00017-11
3	COULTER MOUNT 22"	74-00019-11
4	DIETRICH 22" COULTER BLADE- NO CENTER HOLE	74-00110-11
5	T-BOLT WELDMENT	74-00021-11
7	SPRING CASTING	74-00023-11
9	SNAP PIN 5/8" x 4"	74-00025-11
18	PIVOT PIN 1-3/8" x 5-5/8"	74-00026-11
21	NO GREASE DIETRICH COULTER ARM ASSEMBLY (505849)	74-00109-11



74-00112-11

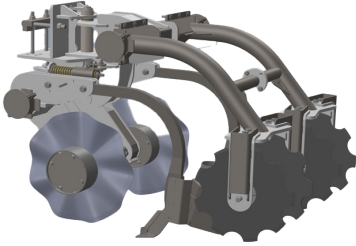
SCHEMATIC # NAME

1	NON-GREASE HUB
2	1-1/4" HARDENED WASHER
3	1-1/4" NC HEX NUT ZP
4	1/2" x 3/4" NC HEX BOLT GR 5

T FLEX ROW UNITS

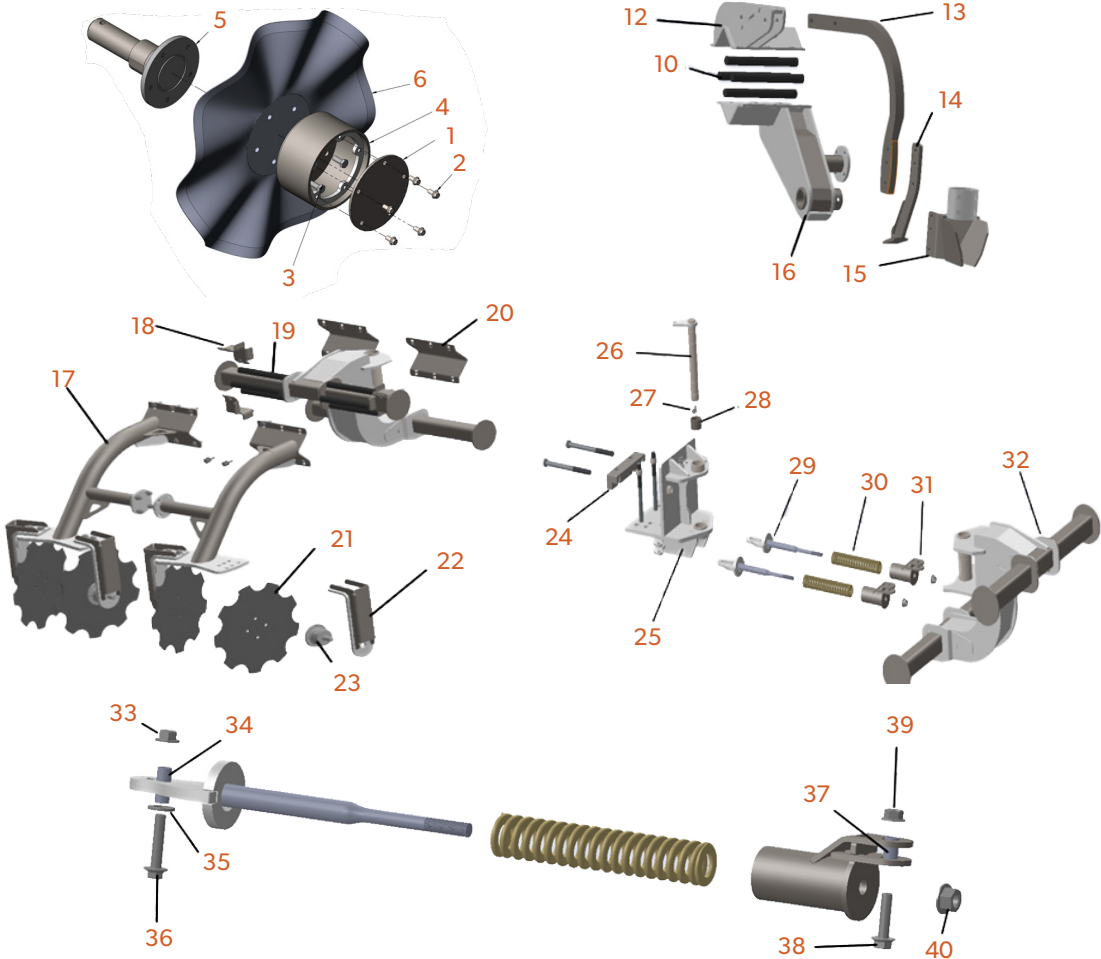
DOUBLE ROW OPENER COMPLETE ASSEMBLY WITH CLOZR

Can be used with hydraflex or contour king swivel.



COMPLETE DOUBLE ROW ASSEMBLY

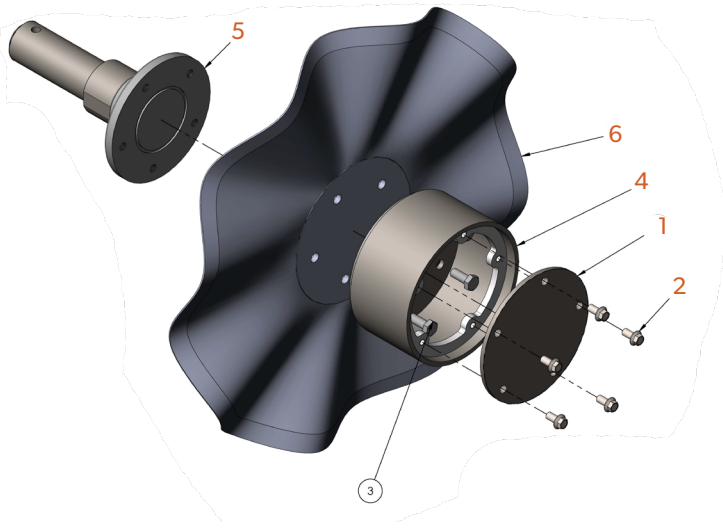
SIZE	PART NUMBER
24"	75-00112-11
30"	75-00113-11



SCHEMATIC #	NAME	PART NUMBER
1	GROUND FOLLOWER ACCESS PLATE	21-02879-11
2	GROUND FOLLOWER ACCESS PLATE SEAL	75-00100-11
3	GROUND FOLLOWER WELDMENT	75-00038-11
4	COULTER SPACER	21-03285-11
5	24" 8 WAVE COULTER BLADE	75-00040-11
6	COULTER SPACER	21-03285-11
7	OPENER HUB ASSEMBLY	75-00044-11
8	REAR SEAL COVER WELDMENT	75-00093-11
9	GROUND FOLLOWER ACCESS PLATE SEAL	75-00100-11
10	OPENER TORSION RUBBER	75-00031-11
11	REAR SEAL COVER ACCESS PLATE	21-02376-11
12	SHANK MOUNT WELDMENT	75-00067-11
13	3 BOLT SHANK	75-00102-11
14	RIPPER SHOE WELDMENT	75-0017DB-12
15	SPLASH PLATE	75-00053-11
16	MAIN OPENER WELDMENT	75-00035-11
17	CLOSER ARM	75-00025-11
18	TORSION RUBBER KEEPER	28-01917-11
19	CLOSER ARM TORSION RUBBER	75-00021-11
20	CLOSER ARM RUBBER CLAMP PLATE	28-01487-11
21	18" NOTCHED CLOSER BLADE	75-00027-11
22	CLOSER BLADE MOUNT WELDMENT	75-00092-11
23	CLOSER HUB	75-00028-11
24	MACHINED MOUNTING BRACKET	29-00106-11
25	TOOL BAR MOUNT WELDMENT	75-00082-11
26	PIVOT PIN WELDMENT	75-00084-11
27	1/8" STREET ELBOW	46-00055-11
28	SPRING BUSHING	75-00011-11
29	MALE TENSIONER ROD WELDMENT	75-00013-11
30	SWIVEL SPRING	75-00012-11
31	TENSIONER SPRING WELDMENT	75-00070-11
32	MAIN PIVOTING WELDMENT	75-00081-11
33	M12-1 3/4 x 60MM BOLT	
34	BUSHING 1/2" ID x 5/8" OD x 1-1/2" L	46-00203-11
35	M16 WASHER	
36	M12-1 3/4 x 60MM BOLT	
37	BUSHING 1/2" ID x 5/8" OD x 1" L	46-00202-11
38	M12-1 3/4 x 50MM BOLT	
39	M12-1 3/4 TOP LOCK FLANGE NUT	
40	M16-2.0 TOP LOCK FLANGE NUT	

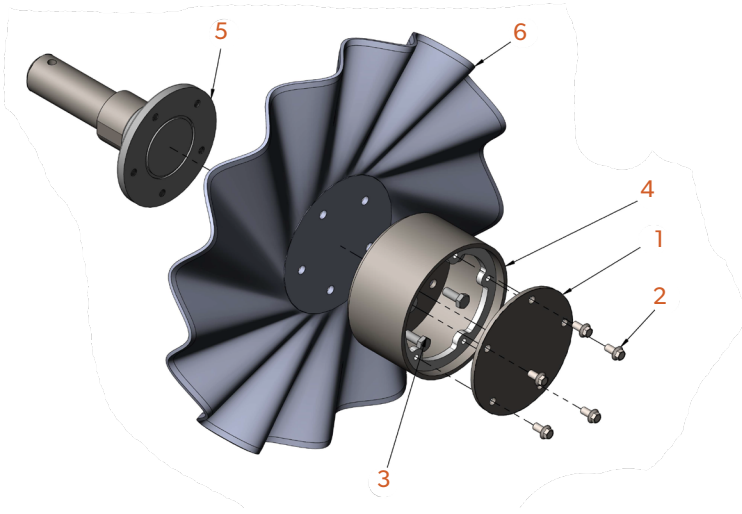
T FLEX

T FLEX ROW UNITS



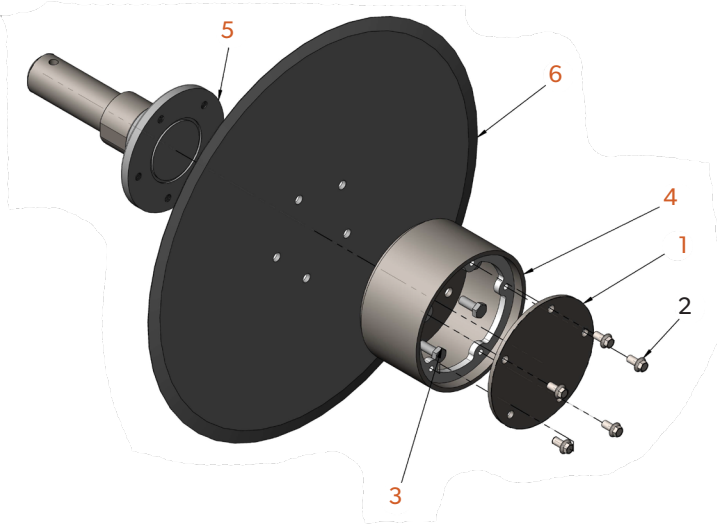
ASSEMBLY # **67-00159AE-12**

SCHEMATIC #	QUANTITY	DESCRIPTION	PART NUMBER
1	1	ACCESS COVER	21-03748-11
2	5	FLANGE HEX BOLT_M10-1.50 x 20 x 20_GR8.8	41-00395-11
3	5	HEX BOLT_M12-1.25 x 30 x 30_GR10.9	41-001620F-12
4	1	GROUND FOLLOWER	21-03748-11
5	1	SUB ASSEMBLY - HUB - PIN - COLLAR TORSION FLEX ROW UNIT	67-0019789-12
6	1	24" 8 WAVE COULTER BLADE for TILL EXTREME 5 BOLT x 12MM HUB	75-00110-11



ASSEMBLY # **67-001B1D2-12**

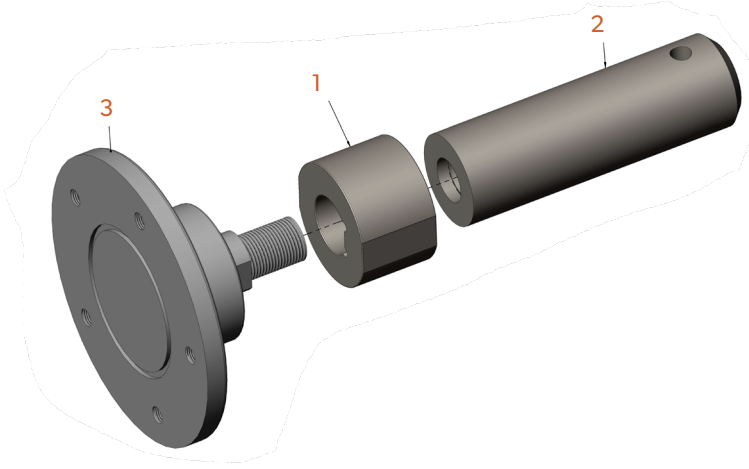
SCHEMATIC #	QUANTITY	DESCRIPTION	PART NUMBER
1	1	ACCESS COVER	21-03746-11
2	5	FLANGE HEX BOLT_M10-1.50 x 20 x 20_GR8.8	41-00395-11
3	5	HEX BOLT_M12-1.25 x 30 x30_ GR10.9	41-001620F-12
4	1	GROUND FOLLOWER	21-03748-11
5	1	SUB ASSEMBLY - HUB - PIN - COLLAR TORSION FLEX ROW UNIT	67-0019789-12
6	1	24" 13 WAVE COULTER BLADE with 5 BOLT PATTERN	75-00110-11



ASSEMBLY # **67-001BIF6-12**

SCHEMATIC #	QUANTITY	DESCRIPTION	PART NUMBER
1	1	ACCESS COVER	21-03748-11
3	5	HEX BOLT_M12-1.25 x 30 x 30_GR10.9	41-001620F-12
4	1	GROUND FOLLOWER	67-02229-11
5	1	SUB ASSEMBLY - HUB - PIN - COLLAR TORSION FLEX ROW UNIT	67-0018789-12
6	1	24" SMOOTH COULTER BLADE with 5 BOLT PATTERN	75-00111-11

T FLEX ROW UNITS



ASSEMBLY # **67-0019789-12**

SCHEMATIC #	QUANTITY	DESCRIPTION	PART NUMBER
1	1	HUB ADAPTER COUPLING - PEER 40MM	29-0015A09-12
2	1	HUB ADAPTER SHAFT - PEER 40MM	29-0015985-12
3	1	HUB - 40mm - x - ASSY	75-00101-11

KROHNE IFC 100 CONVERTER

AGRICULTURAL VERSION, FULLY POTTED

Compatible with all KROHNE OPTIFLUX 4000 Flow Sensors.



IFC 100

PART NUMBER

REMOTE MOUNT

81-00012-11

COMPACT MOUNT, 0°

81-00045-11

COMPACT MOUNT, 45°

81-00046-11



WEATHER PROTECTION COVER

Stainless steel splash shield with viewing door.

PART NUMBER

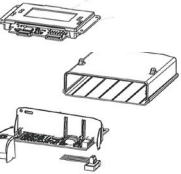
81-00007-11



PART NUMBER

REPLACEMENT BLUE COVER with DISPLAY

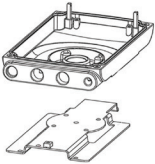
81-00013-11



PART NUMBER

REPLACEMENT ELECTRONICS

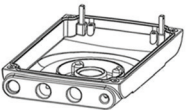
81-00009-11



PART NUMBER

REPLACEMENT WALL MOUNT BASE

81-00014-11



PART NUMBER

REPLACEMENT 0° BASE

81-00021-11



PART NUMBER

REPLACEMENT 45° BASE

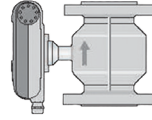
81-00007-11

COMPACT MOUNT KROHNE 4100 FLOWMETER

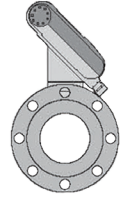
AGRICULTURAL VERSION, FULLY POTTED

COMPLETE FLOW METERS 0° COMPACT MOUNT

KROHNE OPTIFLUX 4000 Flow Sensor with ifc 100 converter.



0° Compact



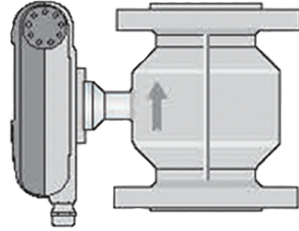
45° Compact

0° LOW NOISE ELECTRODES

SIZE	PART NUMBER
8"	81-00222-11
6"	81-00228-11

0° STANDARD ELECTRODES

SIZE	PART NUMBER
8"	81-00223-11
6"	81-00229-11
4"	81-00233-11
3"	81-00236-11



0° Compact

COMPLETE FLOW METERS 45° COMPACT MOUNT

KROHNE OPTIFLUX 4000 Flow Sensor with ifc 100 converter.

45° MOUNT LOW NOISE ELECTRODES

SIZE	PART NUMBER
8"	81-00224-11
6"	81-00230-11

45° MOUNT LOW NOISE ELECTRODES

SIZE	PART NUMBER
8"	81-00225-11
6"	81-00231-11
4"	81-00234-11
3"	81-00237-11



REPLACEMENT FLOW TUBES KROHNE OPTIFLUX 4000 FLOW SENSOR

For use with 0° or 45° flow tubes.



8" TUBE - COMPACT MOUNT

NAME	PART NUMBER
------	-------------

LOW-NOISE	81-00035-11
------------------	--------------------

STANDARD	81-00036-11
-----------------	--------------------



6" TUBE - COMPACT MOUNT

NAME	PART NUMBER
------	-------------

LOW-NOISE	81-00037-11
------------------	--------------------

STANDARD	81-00038-11
-----------------	--------------------



COMPACT TUBE - STANDARD ELECTRODES

SIZE	PART NUMBER
------	-------------

4"	81-00039-11
-----------	--------------------

3"	81-00040-11
-----------	--------------------

NOTES & LISTS

MODELS I OWN & PUMP SERIAL NUMBERS:

ITEMS TO ORDER:

QUESTIONS FOR PUCK:

712-655-9200

PUCK PUMP SCHOOL

Puck is committed to offering customers the knowledge and equipment to maximize their profit potential. Our goal is to share what we have learned over the years as applicators, gain insight into your operation and find new executions for improved efficiency. Pump School provides the opportunity to discuss how to better use the tools that we already possess and create more efficient tools for the future.



Visit us at [Puck.com/pump-school](https://www.puck.com/pump-school) to learn more or scan the QR code!



What Does More Flow Mean?

Flow GPM	Gallons per Hour	Hours per 1,000,000	Gallons 80 Hours	1.5 ¢ per Gallon
1,000	60,000	16.67	4,800,000	\$72,000
1,500	90,000	11.11	7,200,000	\$108,000
2,000	120,000	8.33	9,600,000	\$144,000
2,500	150,000	6.67	12,000,000	\$180,000
3,000	180,000	5.56	14,400,000	\$216,000
3,500	210,000	4.76	16,800,000	\$252,000
4,000	240,000	4.17	19,200,000	\$288,000
4,500	270,000	3.70	21,600,000	\$324,000
5,000	300,000	3.33	24,000,000	\$360,000

More Gallons Equals More Income Opportunity!

PROUDLY AMERICAN MADE

In the land of the free Puck is built to lead. Our products are proudly hand-crafted in the heart of this great country—in the very town our company was founded over 45 years ago. We utilize only the best materials from the ground up to keep your operation running strong year after year.



LOCATIONS



LOCATIONS

MANNING

1110 100th St
Manning, IA
712.655.9200

DUBUQUE

10166 Hartbecke Rd
Suite B · Farley, IA
712.655.9203

WORTHING

47086 Pioneer St
Worthing, SD
712.655.9202

AURORA

3626 State Route 90
Aurora, NY
712.655.9206

ANGIER

BullDog Hose Company
141 Junny Rd
Angier, NC
712.655.9201

DOTHAN

U.S. Coupling
1134 North Range St
Dothan, AL
888.447.6441

INTERNATIONAL

Vukovarska 229 C
31000 Osijek · Croatia
+ 385 31 659 229



***Prepare for your
application season!***

**Stock parts and supplies for
your team to be successful.**

PUCK  ***Built to Lead.***