



BUILT TO PERFORM

BUILT TO LEAD.



FF 3009 T

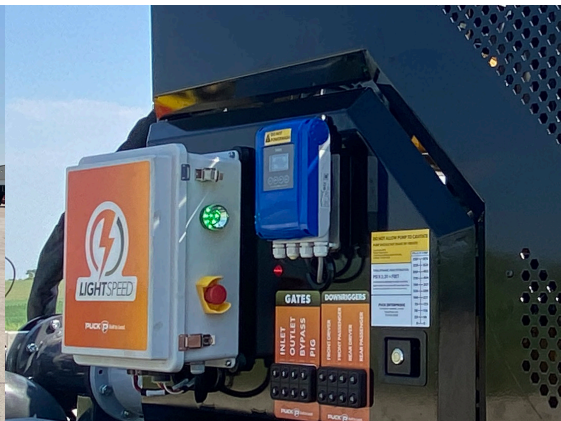
High Flows...Uncompromised.

The Force Feed 3009 Tandem brings high flow rates with shorter distances. This easy to deploy agitation pump has a compact design that is great for tight spaces.

FF 3009 TANDEM FEATURES

- ✓ 240 gallon diesel fuel capacity
- ✓ 8" outflow
- ✓ 3" agitation nozzle with 180° of rotation
- ✓ 8" pig shooter
- ✓ 10" feeder hookup
- ✓ Cat C7.1 L engine
- ✓ 15 hour run time
- ✓ 22 ½' vertical reach below ground level and 44' horizontal reach

Call **712.655.9200** or visit **Puck.com** to inquire now.



LIGHTSPEED™

- ✓ Near real time pump control, accessible anywhere from any device
- ✓ 99% online equipment accessibility uptime
- ✓ Additional features include site mapping, pump reporting, customizable maintenance notifications, and more

Force Feed Specifications



FORCE FEED MODEL COMPARISON

Model Number	Engine	Pump	Feeder Pump
FF 3009 T	C7.1L (302hp)	-	Cornell 10NNWH
FF 4570	C9.3B (456hp)	6819MPC	8NNWH or Doda 200
FF 5770 T	C13B (577hp)	6819MPC	10NNWH or Nuhn 17" or Doda 420

FORCE FEED 3009 TANDEM DETAILS

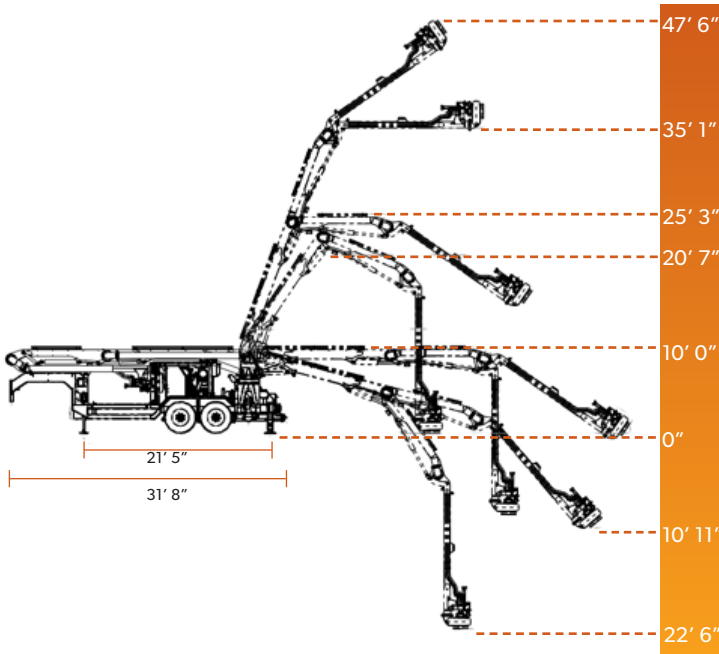
Weight: 26,780 lbs

Width: 8' 5"



Height: 10'

Length: 32'



3 SECTION BOOM

- ✓ 44' boom horizontal reach
- ✓ 22 ½' boom reach below grade
- ✓ 20' boom reach up and over
- ✓ Remote controlled