



# QUICK ATTACK



▲  
Quick Attack

***A New Approach to Bringing Water to the Fire***





# QUICK ATTACK

## Quickly suppress fire

Quickly setup fire suppression with a mobile attack platform using a Puck Quick Attack. Single or dual monitors with remote control capabilities ensure firefighter safety. Flow rates up to 4,000 GPM and the direct injection capability of foam add versatility to the Quick Attack.

### APPLICATIONS OF USE

A prime tool for your department to act quickly to suppress a fire. A smaller fire apparatus for narrow roadways and hard to reach places. Be the first on the scene to get water on the fire fast. The 6" pipework and dual 6" Storz inlet connections on the drivers' and passengers' side of the truck allow for flow rates up to 4,000 GPM.

### QUICK ATTACK FEATURES



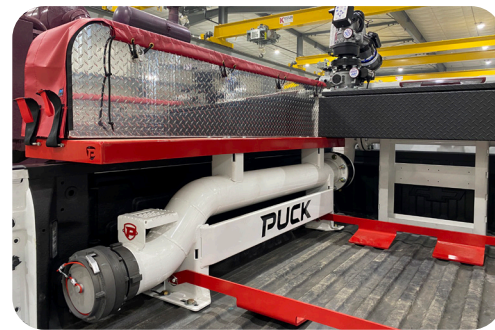
#### HOSE TRAYS

- ✓ Carry and deploy up to 100' of 7-1/4" lay flat hose
- ✓ Rapid setup to inlet connections



#### PIPEWORK

- ✓ 6" pipework for maximum flow rates
- ✓ Automatic drain valve standard



#### DUAL INLET CONNECTIONS

- ✓ 6" Storz connections for easy setup
- ✓ Dual inlets for increased versatility



#### FOAM CAPABILITY

- ✓ 275 or 330 gallon foam tote capable
- ✓ Tote secured with locking bars



#### COMPATIBILITY

- ✓ Chevrolet, Ford, Dodge, GMC compatible
- ✓ 8' bed required



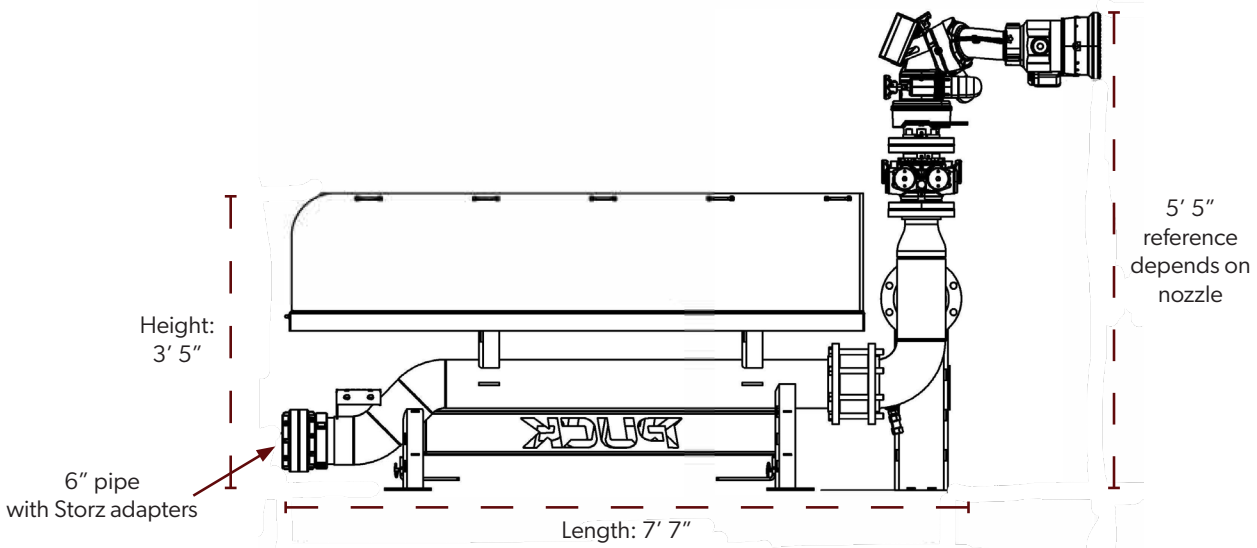
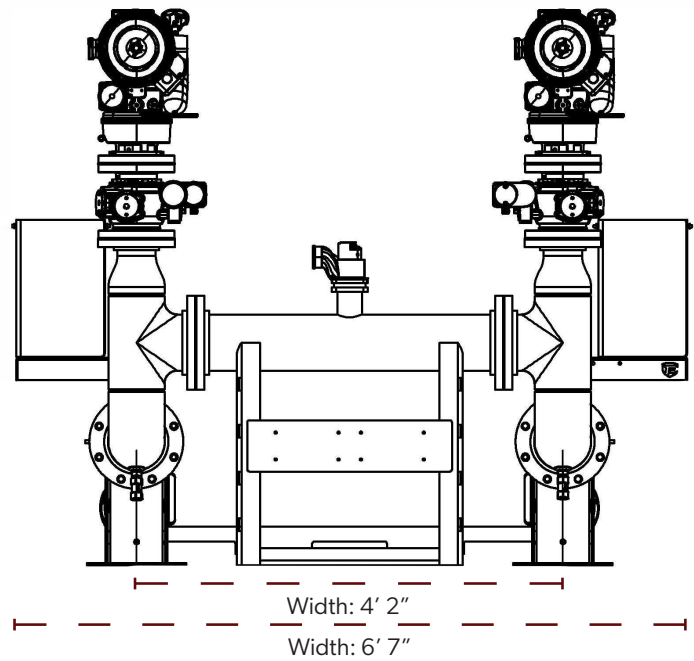
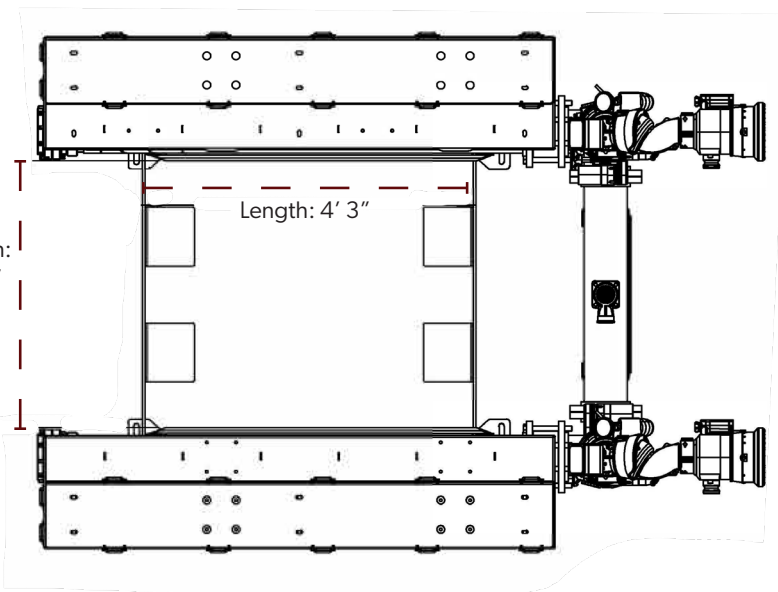
#### VERSATILE

- ✓ Easy to maneuver and deploy
- ✓ Wireless monitors available

***A New Approach to Bringing Water to the Fire***



# Quick Attack Specifications



View the entire lineup at [puck.com/puck-fire](https://puck.com/puck-fire) to learn more.

**A New Approach to Bringing Water to the Fire**





## Gallery



***Our products can bring you solutions from water source to nozzle.***



***A New Approach to Bringing Water to the Fire***

